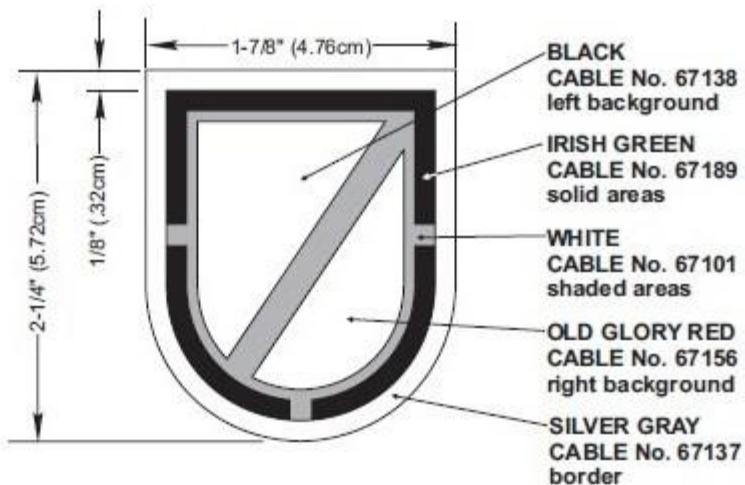




REVISIONS			
LTR	DESCRIPTION	DATE	APPROVED

D



C

B

**DESIGNED FOR OVEREDGE STITCHING**

A

UNLESS OTHERWISE SPECIFIED DIMENSIONS ARE IN INCHES  
TOLERANCES ON FRACTIONS DECIMALS ANGLES

MATERIALS:  
TO BE MANUFACTURED IN ACCORDANCE WITH MIL-DTL-14652

EXAMINED	TLC	
CHECKED	pm	SAO
PREPARED	GS	

APPROVED  
*Charles V. Mugno*  
CHARLES V. MUGNO  
DIRECTOR

THE INSTITUTE OF HERALDRY, DEPARTMENT OF THE ARMY  
9325 GUNSTON RD, RM S-113 FORT BELVOIR, VA 22060-5579

BERET FLASH FOR  
301ST PSYCHOLOGICAL  
OPERATIONS COMPANY

SIZE	CONTROL IDENT. NO	
<b>A</b>	<b>22571</b>	<b>A-4-268</b>
SCALE	DATE	
FULL	<b>3 MARCH 2011</b>	

